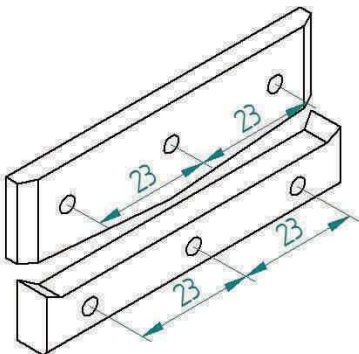
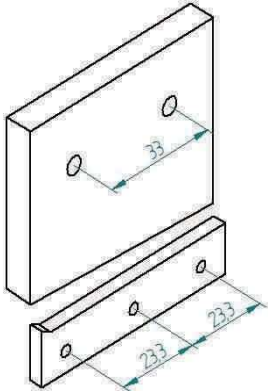


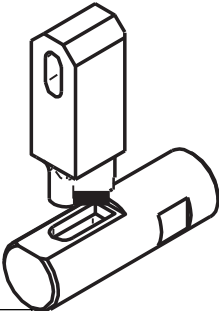
TOOLS FOR SANDVIK-MACHINES



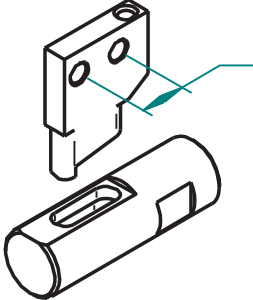
Sandvik 32-0/2



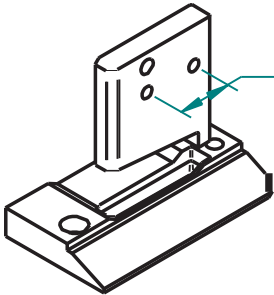
Sandvik 32-0/1



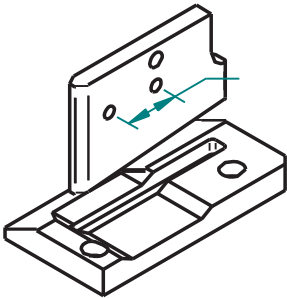
Sandvik 41-0



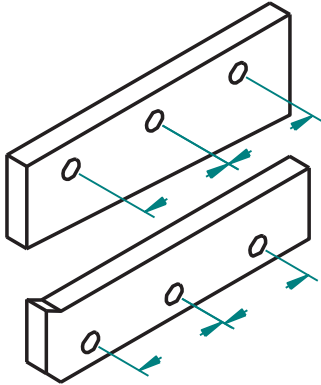
Sandvik 43-0



Sandvik 42-0



Sandvik 57-0



Sandvik 48-0